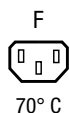


IEC Appliance Plug F, 70°C, fits to Felcom



Appliance outlet



Description

- Component:
Snap-In Version from front side
- 1 Function:
Outlet Protection class I
- For PCB mounting fits to Felcom

Characteristics

- Qualified for use in equipment according IEC/EN 60950

Weblinks

[Approvals](#), [RoHS](#), [CHINA-RoHS](#), [e-Store](#), [SCHURTER-Stock-Check](#), [Distributor-Stock-Check](#)

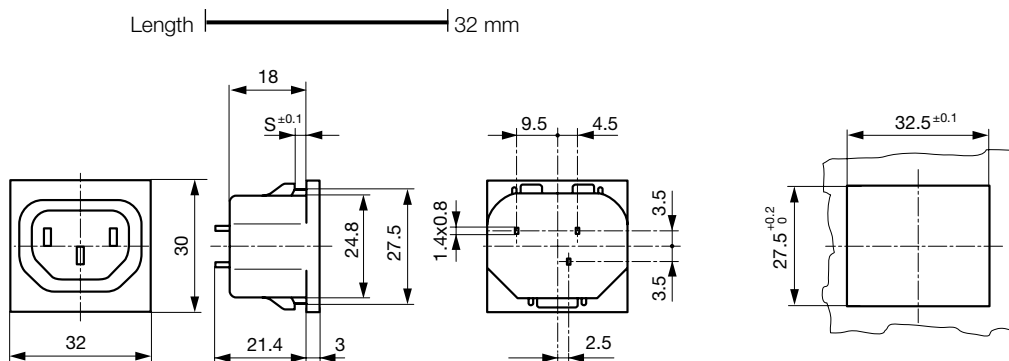
Technical Data

Ratings IEC	10A / 250VAC; 50Hz
Ratings UL/CSA	15A / 125/250VAC; 60Hz
Allowable Operation Temp.	-25 °C to 70 °C
Degree of Protection	from front side IP 40 acc. to IEC 60529
Protection Class	Suitable for appliances with protection class I acc. to IEC 61140
Terminal	For PCB mounting
Panel Thickness s	Snap-in: 1/1.2/1.5/2/2.5/3 mm
Material: Housing	Thermoplastic, black, UL 94V-0

Appliance-Inlet/-Outlet	F acc. to IEC/EN 60320-2-2, UL 498, CSA C22.2 no. 42 (for cold conditions) pin-temperature 70 °C, 10A, Protection class I
-------------------------	---

Dimensions

Appliance outlet



Variants

[Distributor-Stock-Check](#) | [SCHURTER-Stock-Check](#) | [e-Store](#)

Type	Panel Thickness s [mm]	Line Switch	Fuseholder	Appliance-inlet	Appliance outlet	Order Number
Outlet	1	-	-	-	F	6650.4510
Outlet	1.2	-	-	-	F	6650.4512
Outlet	1.5	-	-	-	F	6650.4515
Outlet	2	-	-	-	F	6650.4520
Outlet	2.5	-	-	-	F	6650.4525
Outlet	3	-	-	-	F	6650.4530

Packaging unit 50 Pcs